



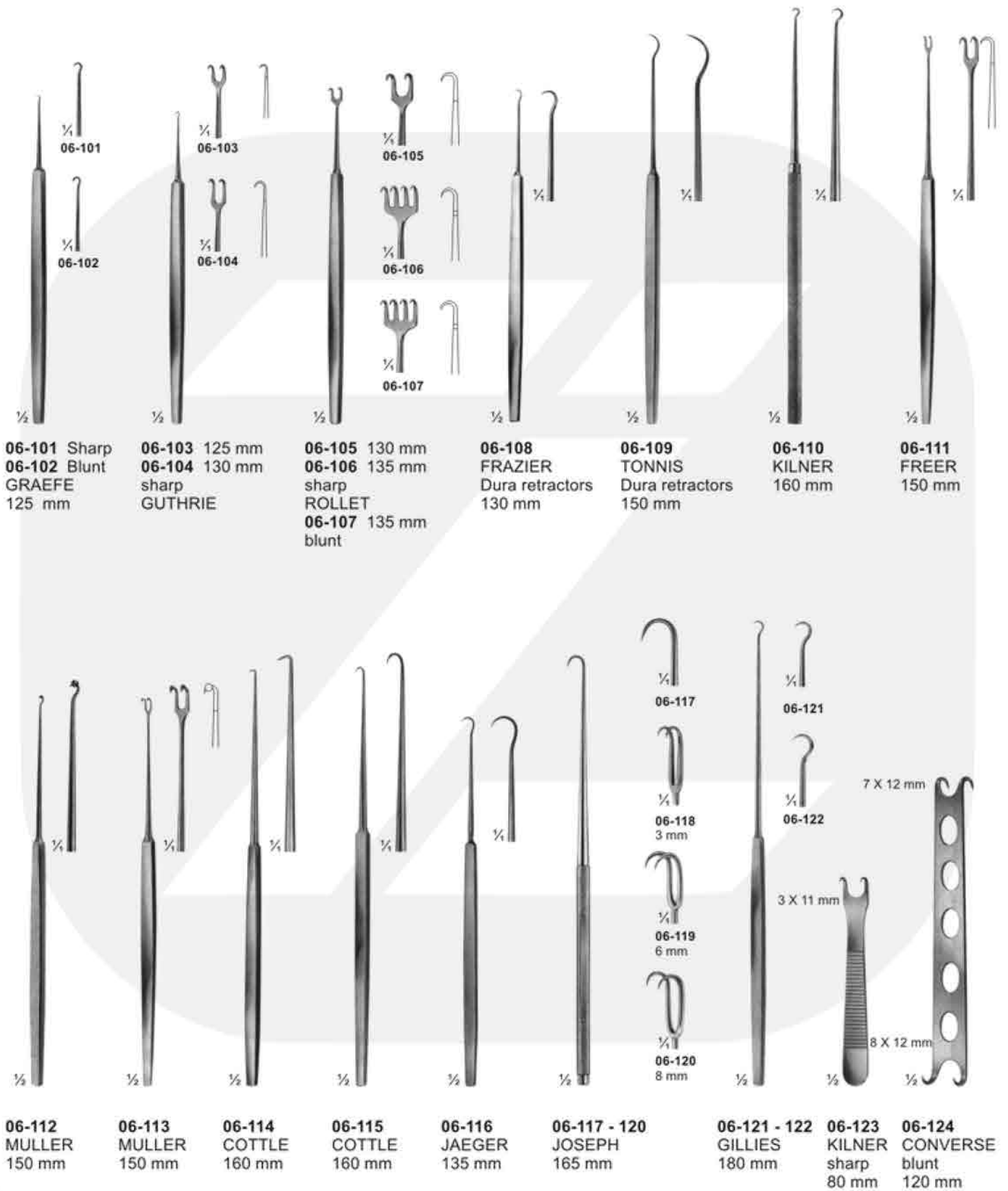
**Zolarex**  
INTERNATIONAL

[www.zolarexinel.com](http://www.zolarexinel.com)

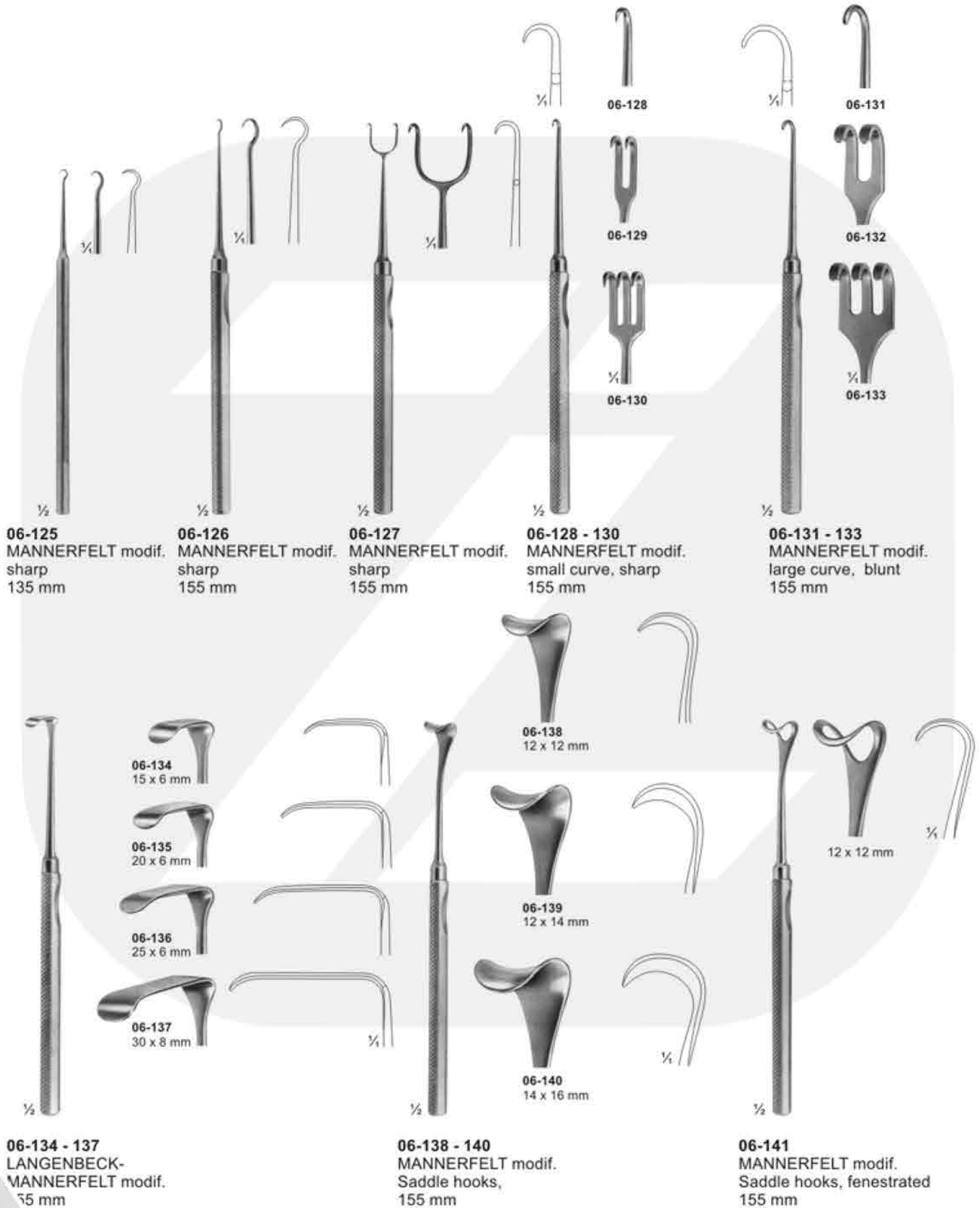
**SURGICAL  
INSTRUMENTS**



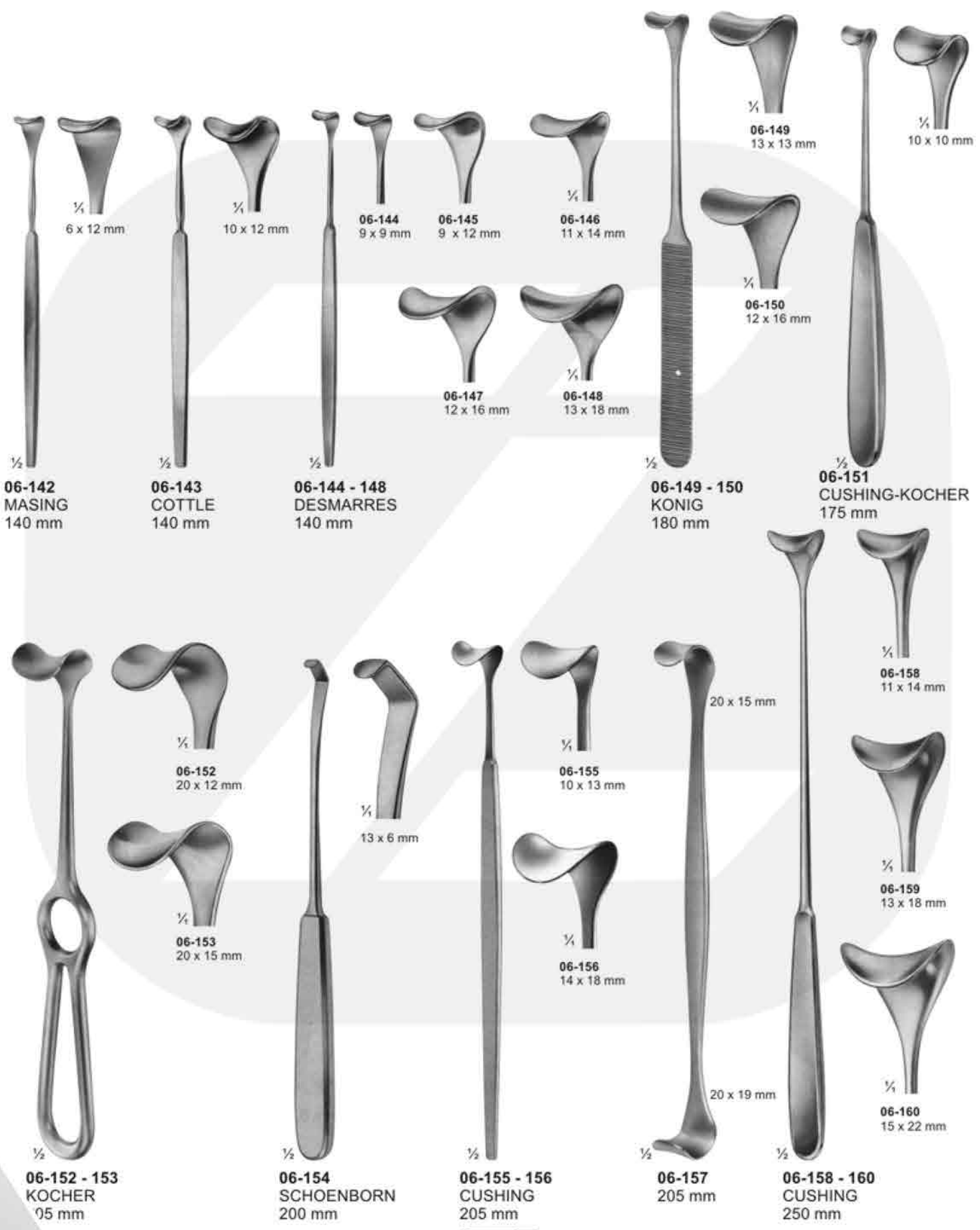
## Fine Wound Retractors (Dura- and Skin Retractors)



## Retractors With treangle handle



# Retractors



## Retractors



## Retractors

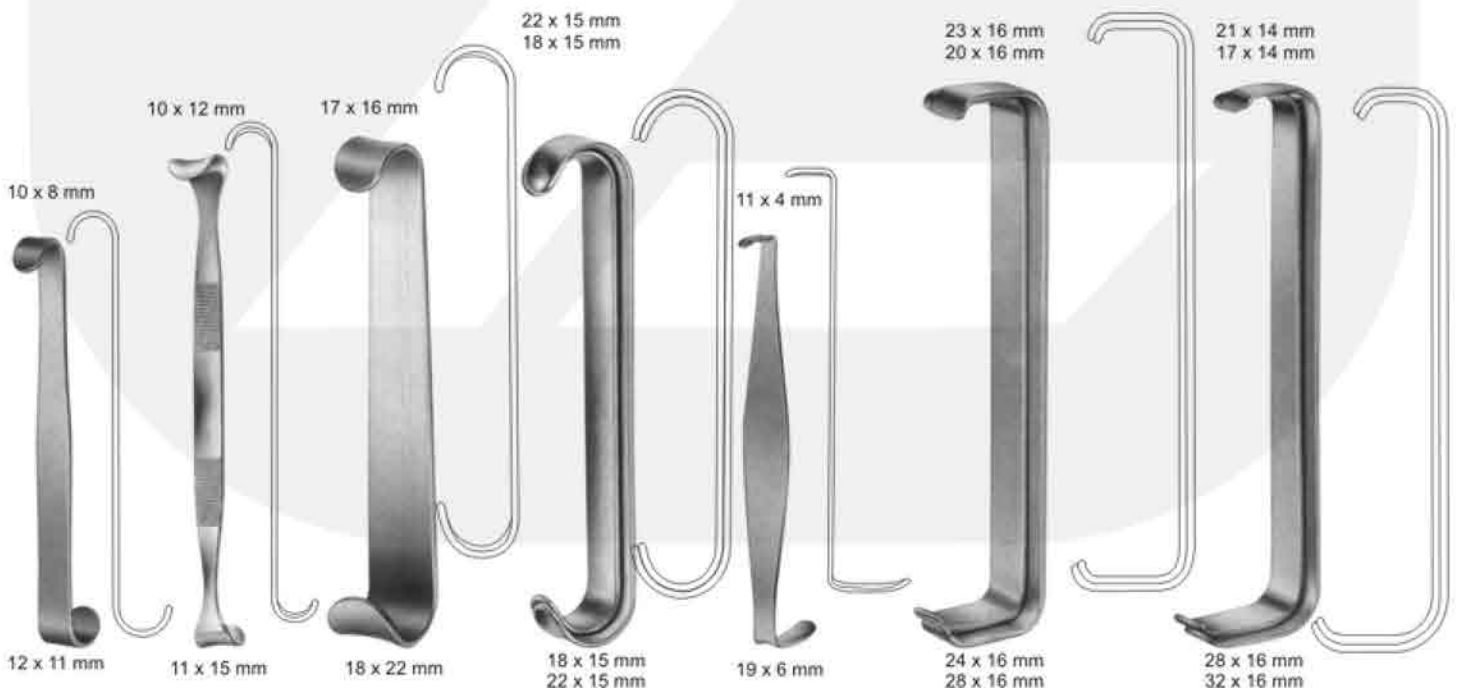


**06-169 - 06-170**  
BABY-SENN-MILLER  
155 mm

**06-171**  
SENN-MILLER  
165 mm

**06-172**  
COLLIN-HARTMANN  
150 mm

**STERBERG**  
06-173 120 mm  
06-174 130 mm  
06-175 135 mm  
06-176 140 mm



**06-177**  
LUER  
110 mm

**06-178**  
ROSE  
130 mm

**06-179**  
BABY-ROUX  
135 mm

**06-180**  
PARKER  
135 mm

**06-181**  
CRILE  
110 mm

**06-182**  
FARABEUF  
150 mm

**06-183**  
COLLIN  
150 mm

## Bone Retractors and Retractors



**06-184**  
KOCHER  
sharp  
205 mm



**06-185**  
KOCHER  
sharp  
220 mm



**06-186**  
KOCHER  
sharp  
220 mm



**06-187**  
VOLKMANN  
blunt  
220 mm



**06-188**  
VOLKMANN  
sharp  
220 mm



**06-189 - 06-196**  
VOLKMANN  
225 mm



Sharp

1/4



**06-189**  
9 x 8 mm



**06-190**  
9 x 13 mm



**06-191**  
9 x 19 mm



**06-192**  
9 x 29 mm



Blunt

1/4



**06-193**  
8,5 x 8 mm



**06-194**  
8,5 x 13 mm



**06-195**  
8,5 x 19 mm



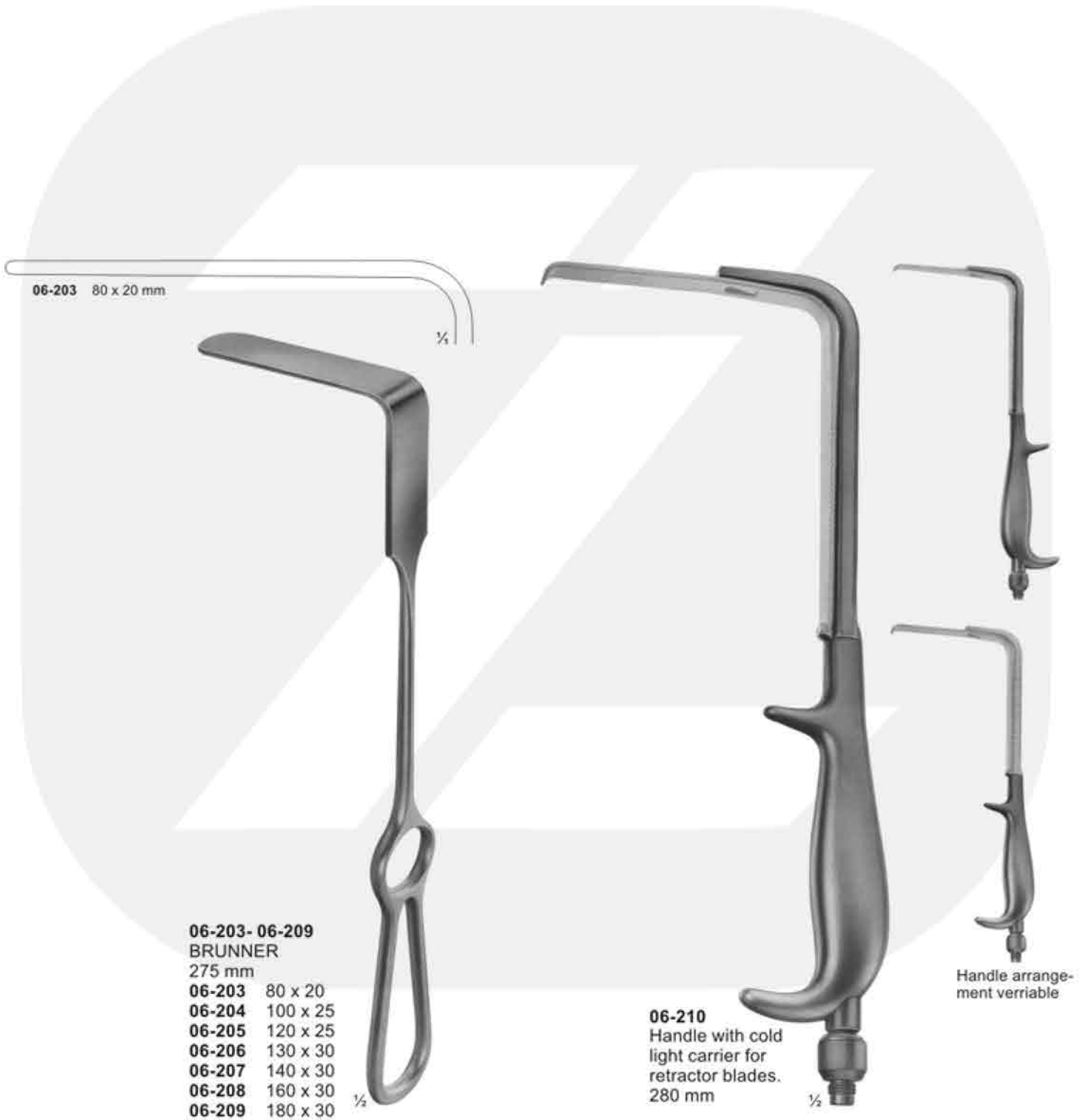
**06-196**  
8,5 x 29 mm

## Retractors





## Retractors, Vario Retractor System



06-203 80 x 20 mm

06-203- 06-209  
BRUNNER  
275 mm

- 06-203 80 x 20
- 06-204 100 x 25
- 06-205 120 x 25
- 06-206 130 x 30
- 06-207 140 x 30
- 06-208 160 x 30
- 06-209 180 x 30

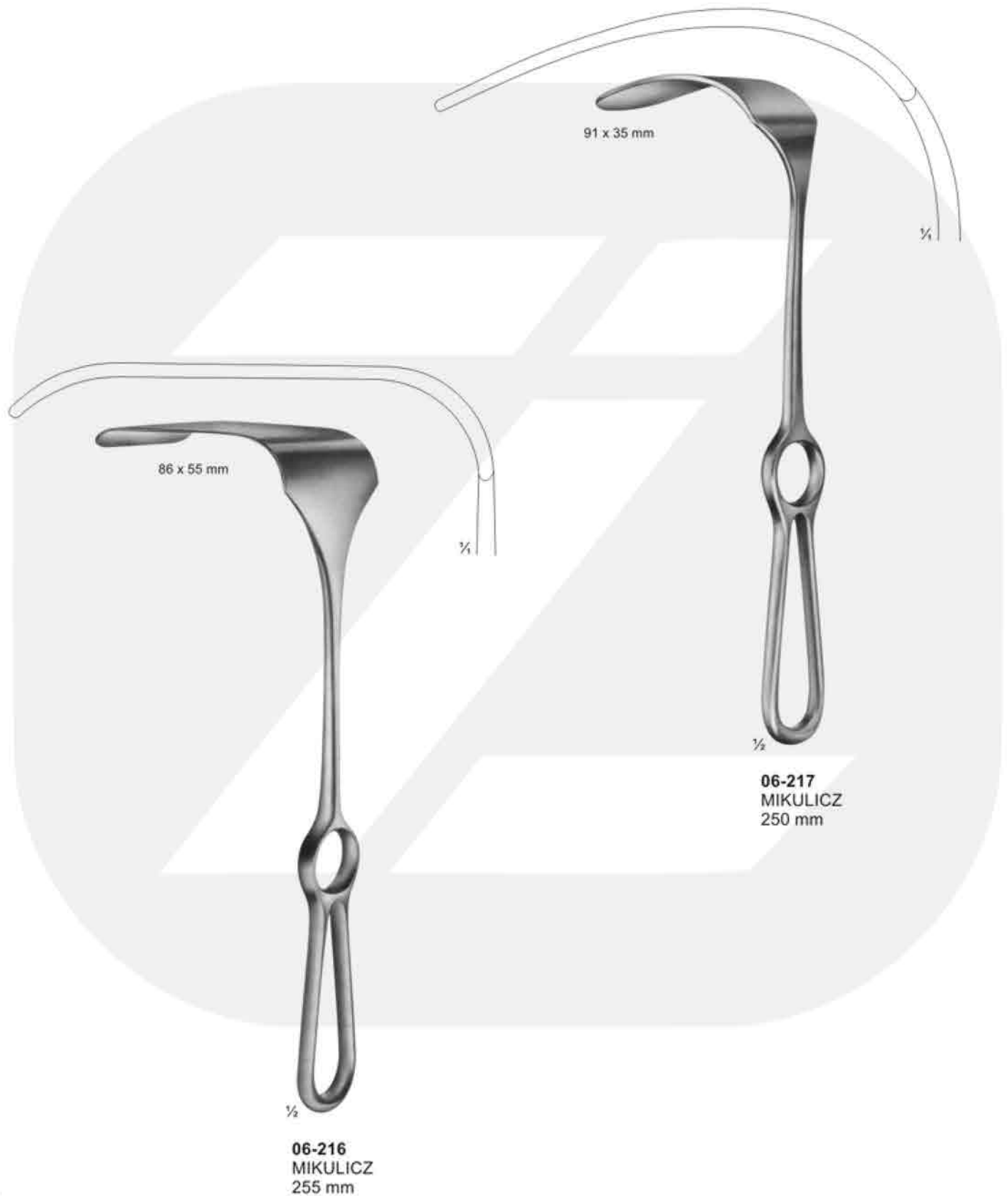
06-210  
Handle with cold  
light carrier for  
retractor blades.  
280 mm

Handle arrange-  
ment verriable

## Retractors, Lung Spatulas



**Retractors for deep surgery  
(Abdominal Retractors)**

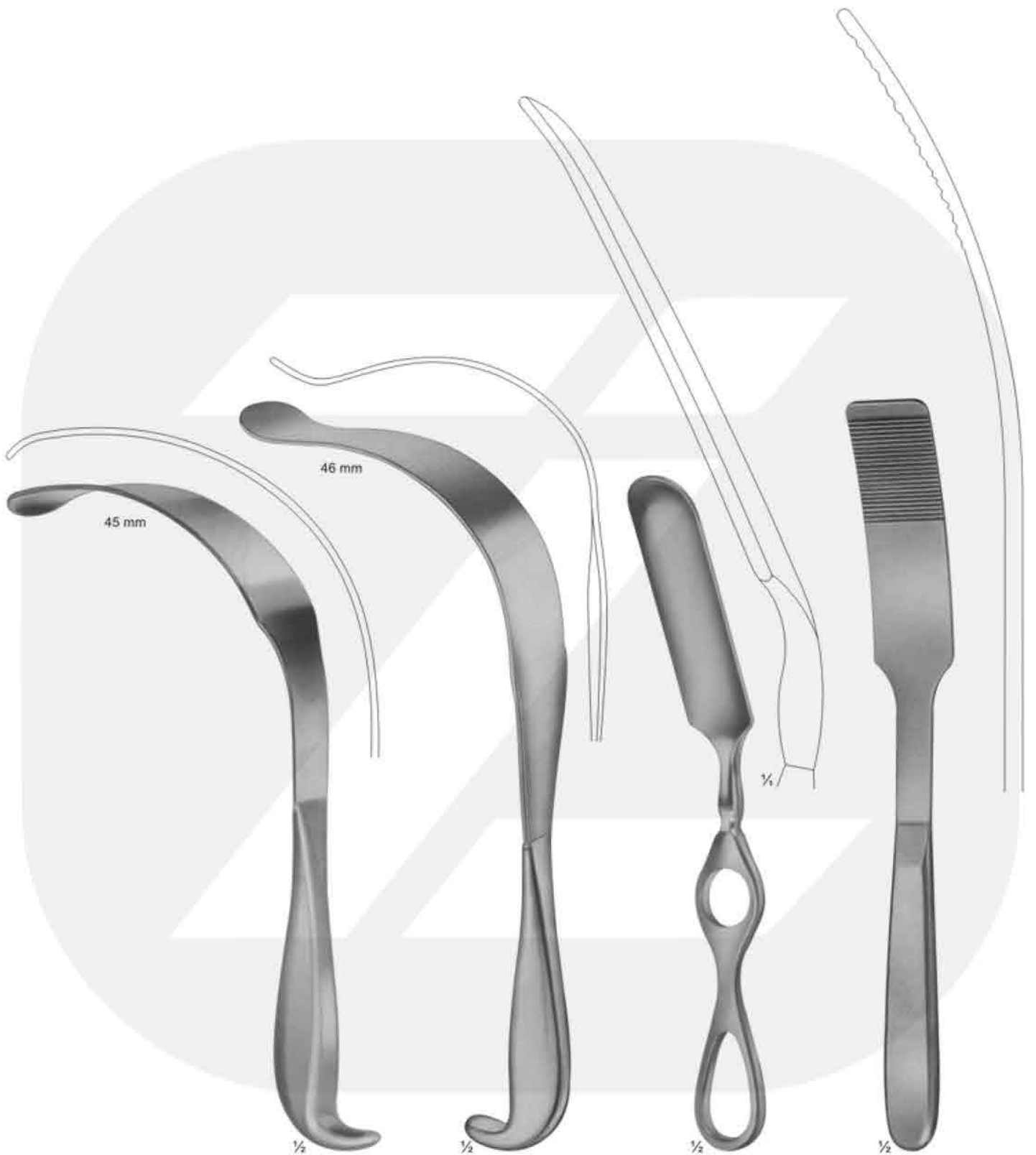


## Retractors, Abdominal Retractors



	width of blades	35 mm, 45 mm, 60 mm
length of blades		
62 mm	06-218 , 06-222 , 06-226	
92 mm	06-219 , 06-223 , 06-227	
122 mm	06-220 , 06-224 , 06-228	
160 mm	06-221 , 06-225	

**Abdominal- and Intestinal Spatulas  
Bauch- und Darmspatel**



**06-235**  
LERICHE  
255 mm

**06-236**  
KUMMEL  
Mealleable  
285 mm

**06-237**  
MIKULICZ  
29 mm  
250 mm

**06-238 - 06-239**  
KADER  
**06-238** 30 mm  
**06-239** 40 mm  
270 mm

## About us

Zolarex is a manufacturing company of high quality of following instruments

### **Surgical Instruments (Single use & Reusable)**

Hollow ware & Hospital Supplies,  
Orthopedic Instruments,  
Gynecology Instruments

### **Dental Instruments, Orthodontic Pliers**

Manicure & pedicure Instruments  
Cutters / Cuticle nippers / Eyebrow Tweezers / Cuticle Pushers / Black head removers / Corn cutters etc.

### **Scissors**

Professional Hair cutting scissors with razor edge,  
Professional thinning scissors,  
Pet grooming scissors,  
Tailor scissors,  
Household Scissors,  
Surgical & Dental Scissors,  
Veterinary scissors,  
cuticle scissors,  
plastic handle scissors,  
sheep scissors etc.

### **Veterinary instruments & Horse products**

We have been working in this field since 2002 and supplying our products all over the world.

We offer all kind of above mentioned products which are producing in Sialkot - Pakistan.

The additional final quality control takes place before shipment. Thus we guarantee the high quality and flawless condition of our products, a claim that you rightly expect from us.

So we can assure you that our products marked with "MUGHAL IMPEX" or your brand Name fast delivery with guaranteed Satisfaction. Our business is dedicated in providing fast and efficient services with high commitment in satisfying the customers.



## **Address:**

Near Alam Chowk Shabpura,  
Sialkot 51310 Pakistan

**Mob:** +92 316 7619193

**Email:** info@zolarexintl.com

zolarex.intl@gmail.com

**Web:** www.zolarexintl.com