



Zolarex
INTERNATIONAL

www.zolarexinel.com

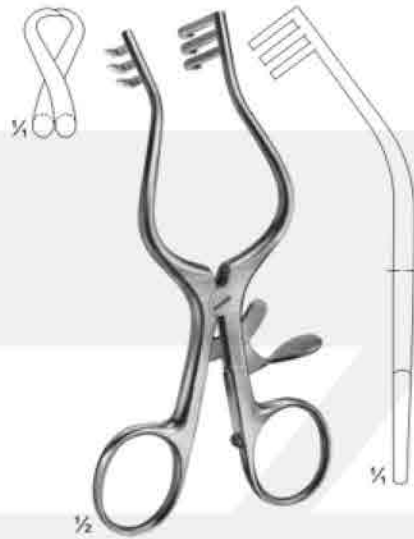
**SURGICAL
INSTRUMENTS**



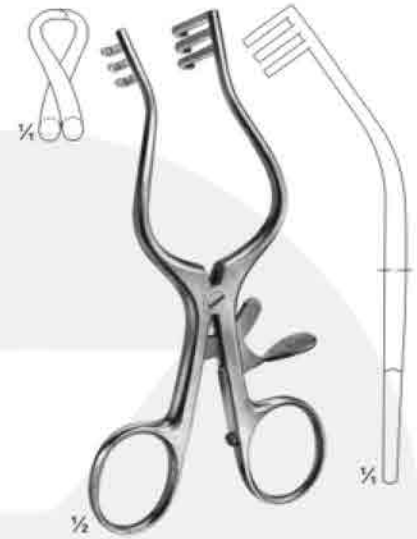
Self-Retaining Retractors



06-240
WEITLANER
sharp
130 mm



06-241
WULLSTEIN
sharp
130 mm



06-242
WULLSTEIN
blunt
130 mm



06-243
WEITLANER
sharp
165 mm



06-244
PLESTER
blunt
110 mm

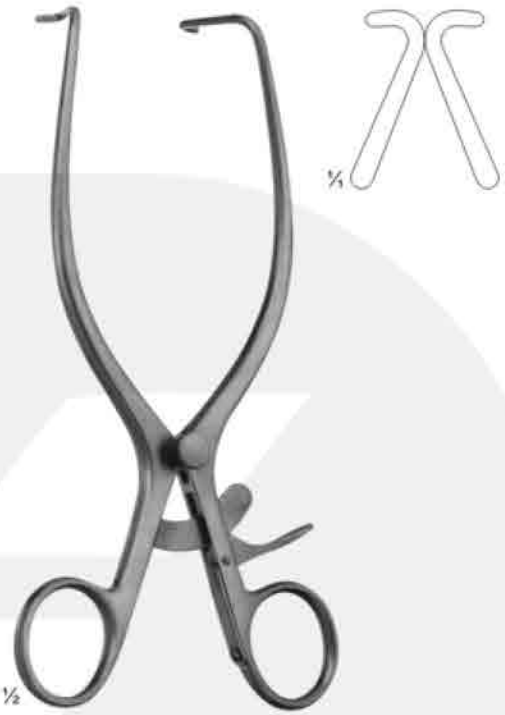


06-245
PERKINS
130 mm

Special Retractors



06-246
JOLL (FRIEDMAN)
Thyroid- and vaginal retractor
155 mm



06-247
JACKSON BURROWS
Retractor, blunt
185 mm



06-248
GELPI
Vaginal retractor
135 mm



06-249
GELPI
Skin- and vaginal retractor
175 mm



06-250
DE BAKEY
Femur retractor
145 mm

Lamina Spreaders



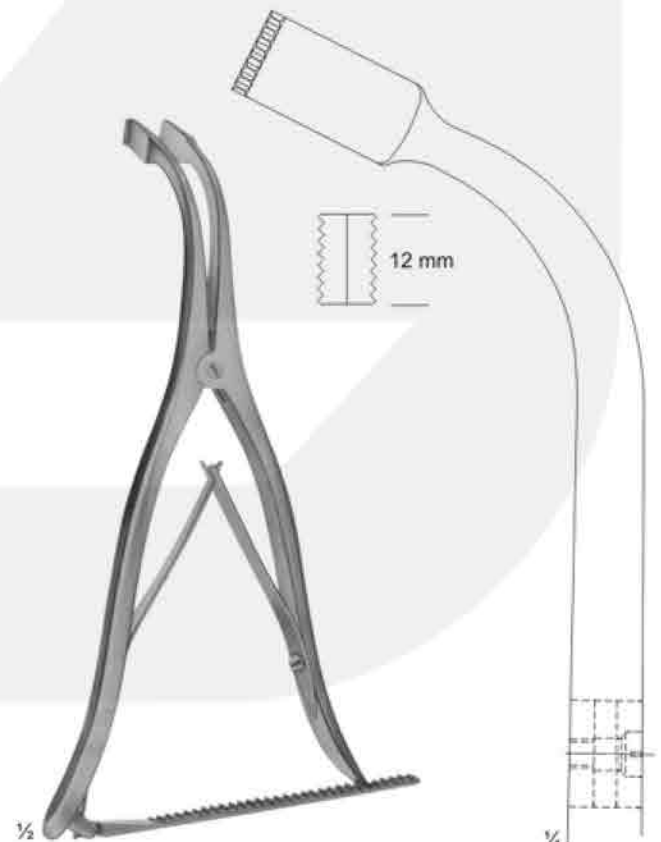
06-251
CLOWARD
155 mm



06-252
CLOWARD
135 mm



06-253
INGE
170 mm

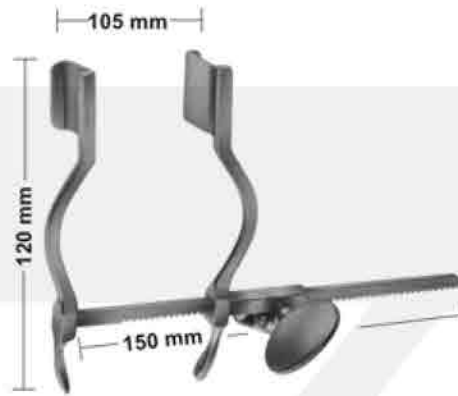


06-254
INGE
275 mm

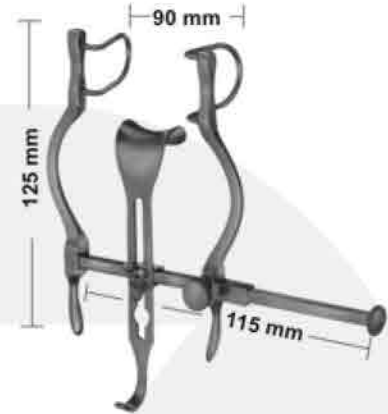
Abdominal Retractors



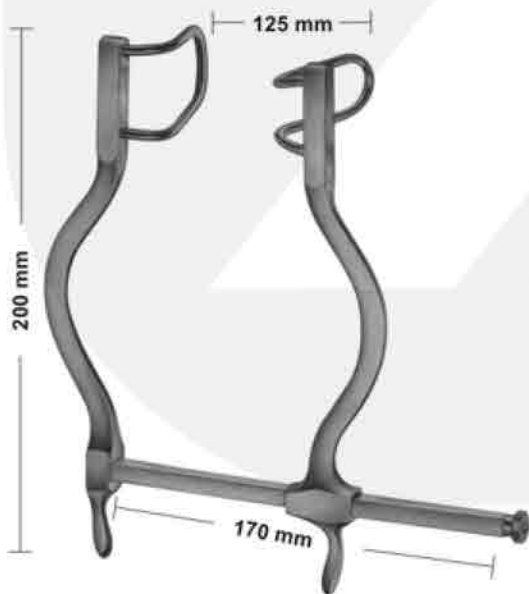
06-255
GOSSET
Blades: 38 mm deep



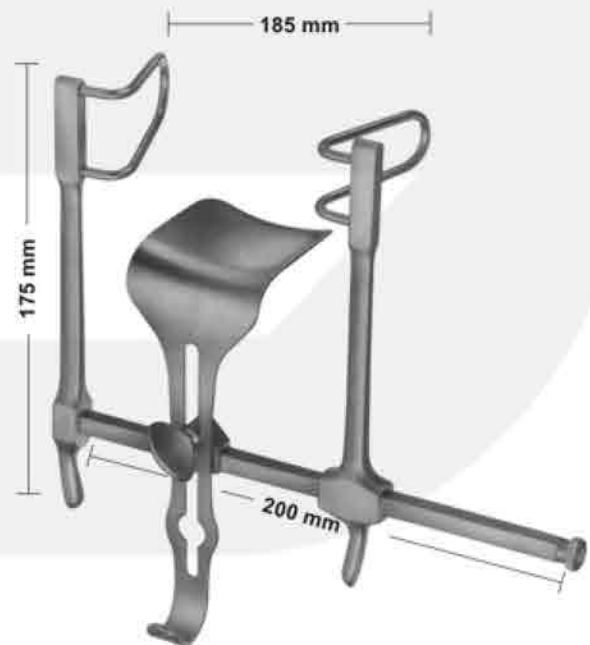
06-256
HERTZLER
Blades 20 X 25 mm



06-257
BALFOUR-BABY
Lateral blades 27 mm deep
Center blade 21x24 mm

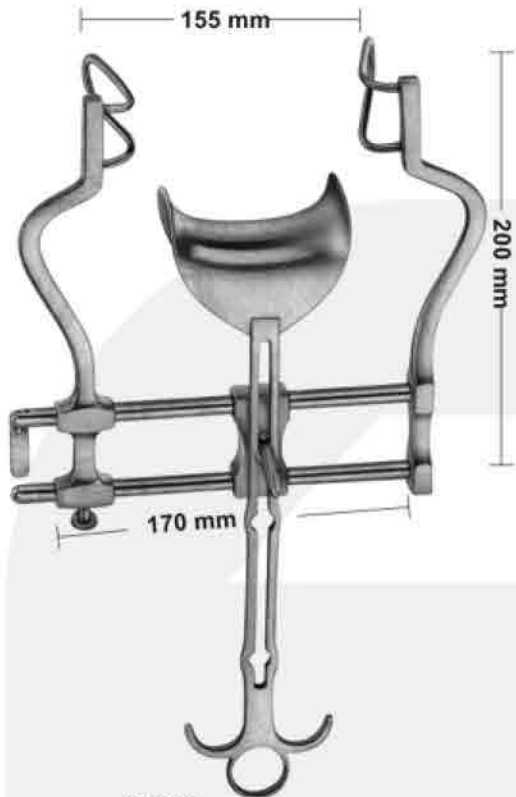


06-258
GOSSET
Blades: 55 mm deep

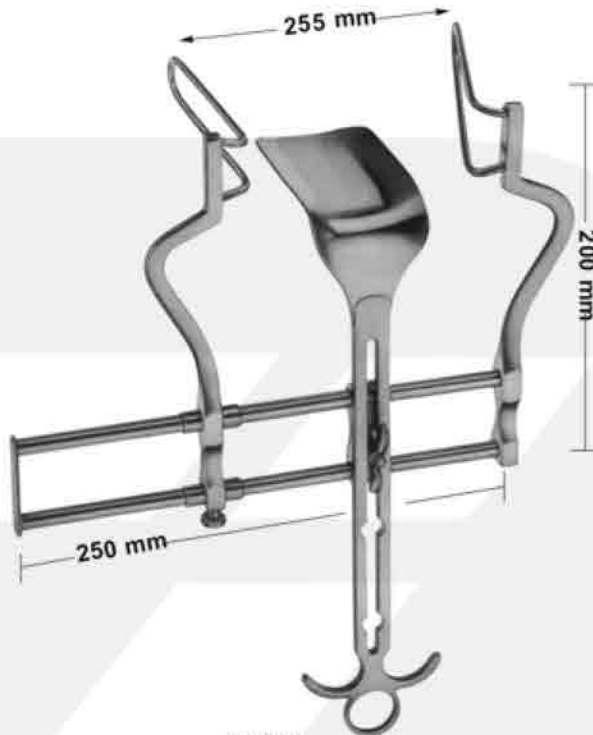


06-259
GOSSET
Lateral blades 58 mm deep
Center blade 59 x 57 mm

Abdominal Retractors



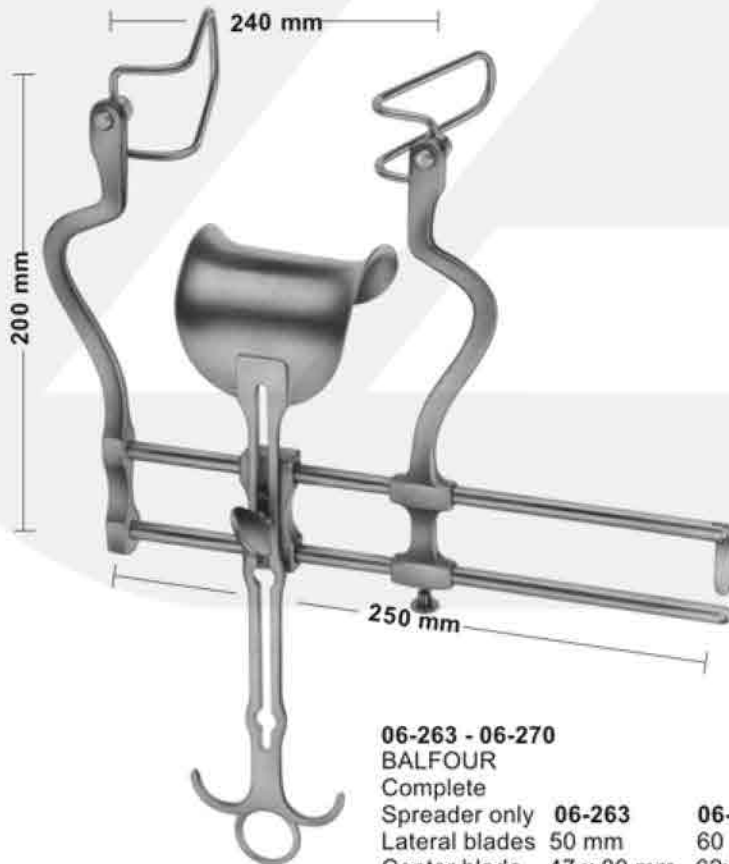
06-260
BALFOUR
Lateral blades 60 mm deep
Center blade 47 x 80 mm



06-261
BALFOUR
Lateral blades 105 mm deep
Center blade 107x 59 mm



06-262
Center blade only
54x80 mm



06-263 - 06-270
BALFOUR
Complete

Spreader only	06-263	06-264	06-265	06-266
Lateral blades	50 mm	60 mm	75 mm	90 mm
Center blade	47 x 80 mm	62x76 mm	80x80 mm	80x80 mm



Lateral blades
06-267 50 mm deep
06-268 60 mm deep
06-269 75 mm deep
06-270 90 mm deep
 Sales Unit of blades: PR = pair

About us

Zolarex is a manufacturing company of high quality of following instruments

Surgical Instruments (Single use & Reusable)

Hollow ware & Hospital Supplies,
Orthopedic Instruments,
Gynecology Instruments

Dental Instruments, Orthodontic Pliers

Manicure & pedicure Instruments
Cutters / Cuticle nippers / Eyebrow Tweezers / Cuticle Pushers / Black head removers / Corn cutters etc.

Scissors

Professional Hair cutting scissors with razor edge,
Professional thinning scissors,
Pet grooming scissors,
Tailor scissors,
Household Scissors,
Surgical & Dental Scissors,
Veterinary scissors,
cuticle scissors,
plastic handle scissors,
sheep scissors etc.

Veterinary instruments & Horse products

We have been working in this field since 2002 and supplying our products all over the world.

We offer all kind of above mentioned products which are producing in Sialkot - Pakistan.

The additional final quality control takes place before shipment. Thus we guarantee the high quality and flawless condition of our products, a claim that you rightly expect from us.

So we can assure you that our products marked with "MUGHAL IMPEX" or your brand Name fast delivery with guaranteed Satisfaction. Our business is dedicated in providing fast and efficient services with high commitment in satisfying the customers.



Address:

Near Alam Chowk Shabpura,
Sialkot 51310 Pakistan

Mob: +92 316 7619193

Email: info@zolarexintl.com

zolarex.intl@gmail.com

Web: www.zolarexintl.com