



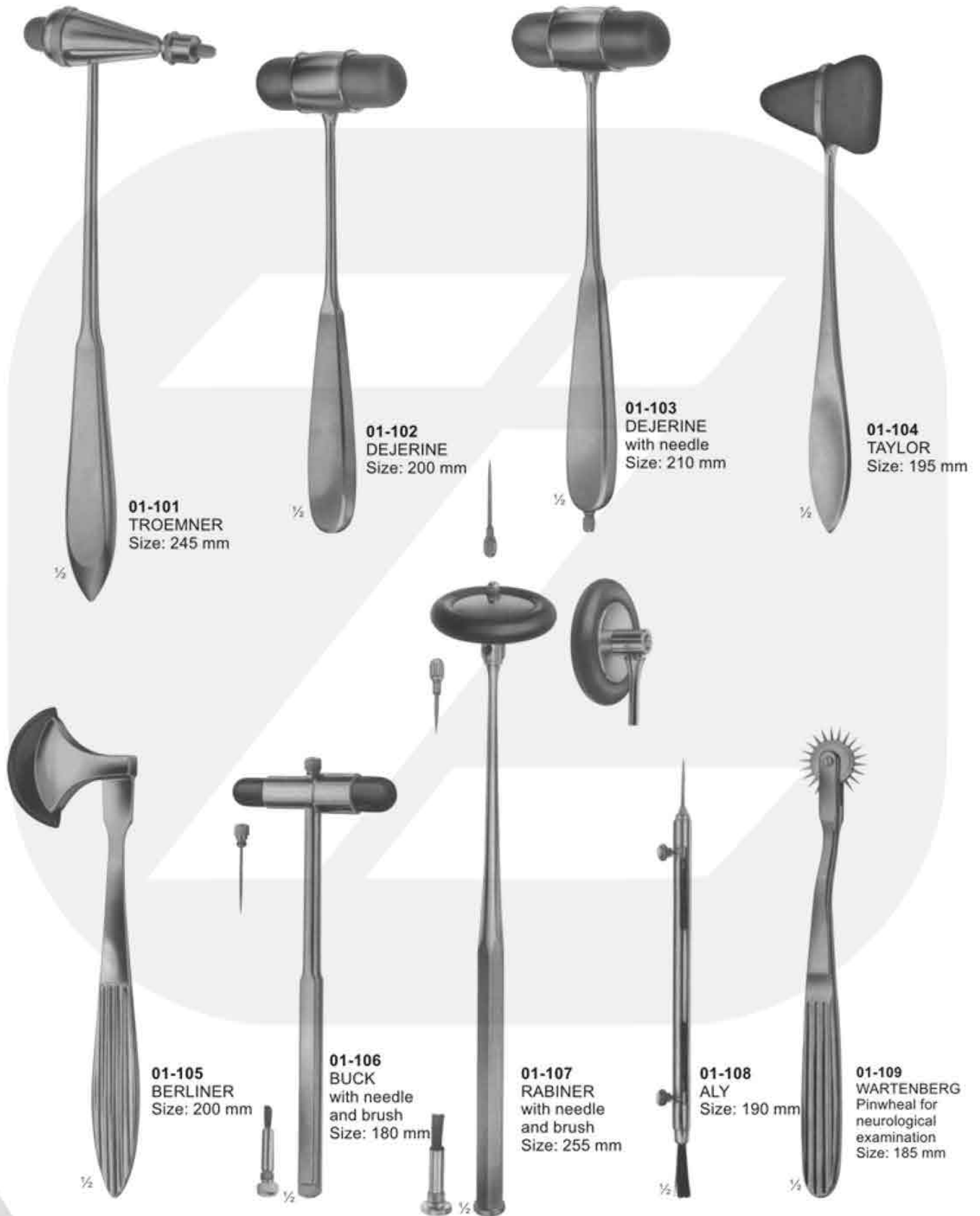
**Zolarex**  
INTERNATIONAL

[www.zolarexinel.com](http://www.zolarexinel.com)

**SURGICAL  
INSTRUMENTS**



## Percussion Hammers and Aesthesiometers



# Stethoscopes



**01-110**  
PINARD (Aluminum)  
Size: 155 mm

1/2



**01-111**  
wooden  
Size: 145 mm

1/2



**01-112**  
BOWLES  
Stethoscope  
with diaphragm

1/4



**01-113**  
ANESTOPHON

1/2



**01-114**  
FORD-BOWLES  
Dual chest piece  
with two outlets

1/4



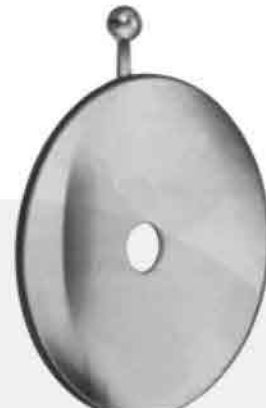
**01-115**  
BOWLES

1/4

## Head Mirrors and Head Bands



**01-116**  
ZIEGLER Ø 90mm  
head mirror only  
with rubber coating



**01-117**  
ZIEGLER Ø 90mm  
head mirror only  
with metal coating



**01-118**  
ZIEGLER  
head band of plastic black

**01-119**  
ZIEGLER  
head band of plastic white



**01-120**  
MURPHY  
head band of celluloid, white

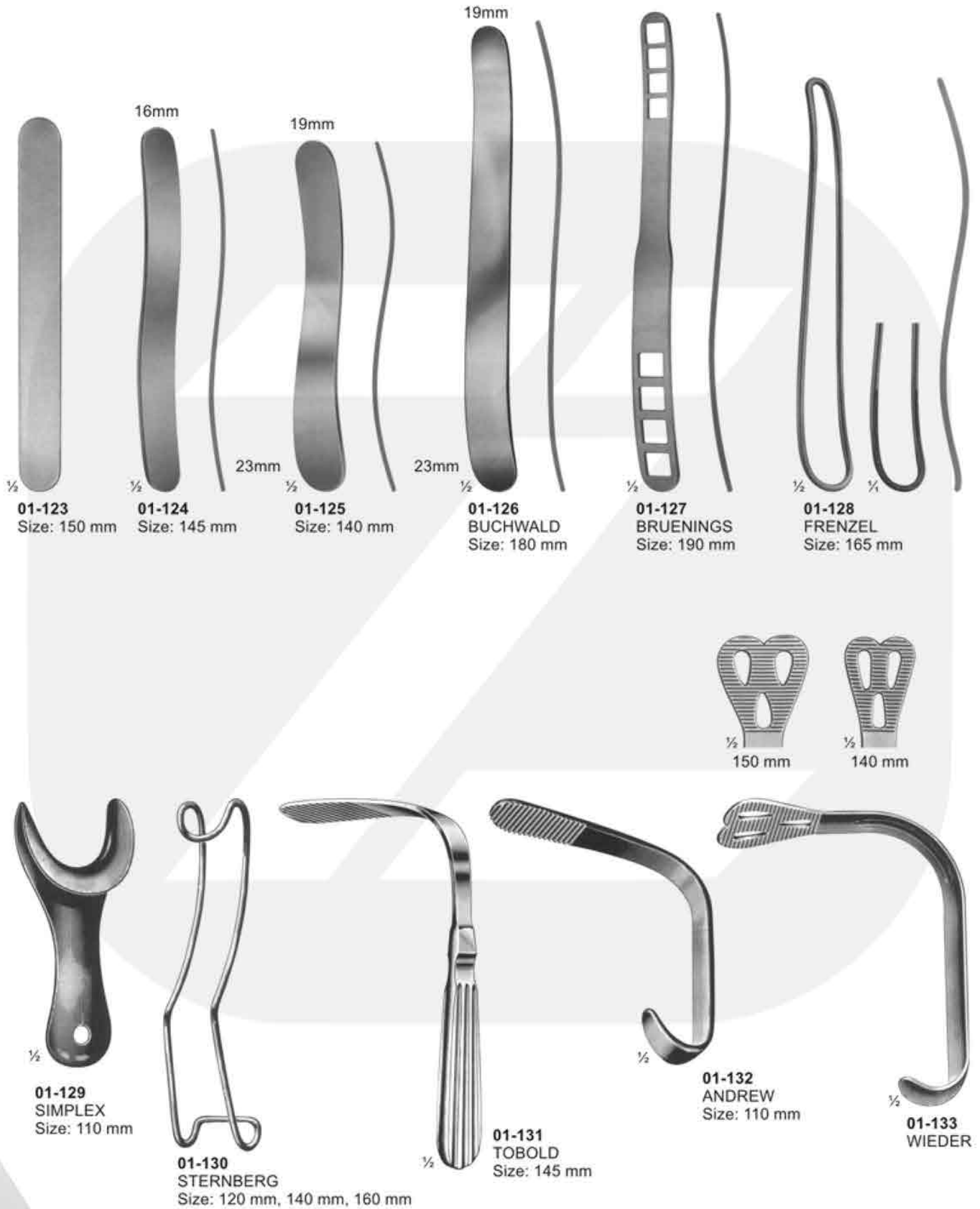


**01-121**  
head band of plastic,  
white, soft pattern



**01-122**  
head mirror with black  
plastic head band.

## Tongue Depressors



# Instruments for Anaesthesia and Tongue Forceps



1/2  
**01-134**  
**SCHIMMELBUSCH**  
Ether mask



1/2  
**01-135**  
**HEISTER**  
Mouth gag  
Size: 130 mm



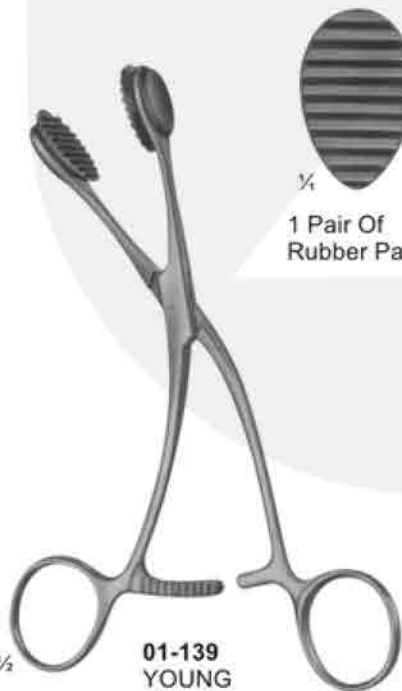
1/2  
**01-136**  
**FERGUSSON-ACKLAND**  
Mouth gag  
Size: 145 mm



1/2  
**01-137**  
**DENHARDT**  
Mouth gag with silicon  
inserts, interchangeable  
Size: 125 mm



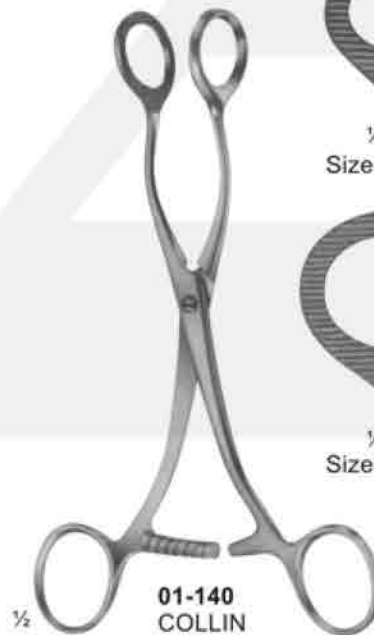
1/2  
**01-138**  
**ROSER KOENIG**  
Mouth gag  
Size: 160 mm, 185 mm



1/2  
**01-139**  
**YOUNG**  
Size: 165 mm



1/4  
1 Pair Of  
Rubber Pads



1/2  
**01-140**  
**COLLIN**  
Size: 160 mm,  
170 mm



1/4  
Size: 160 mm

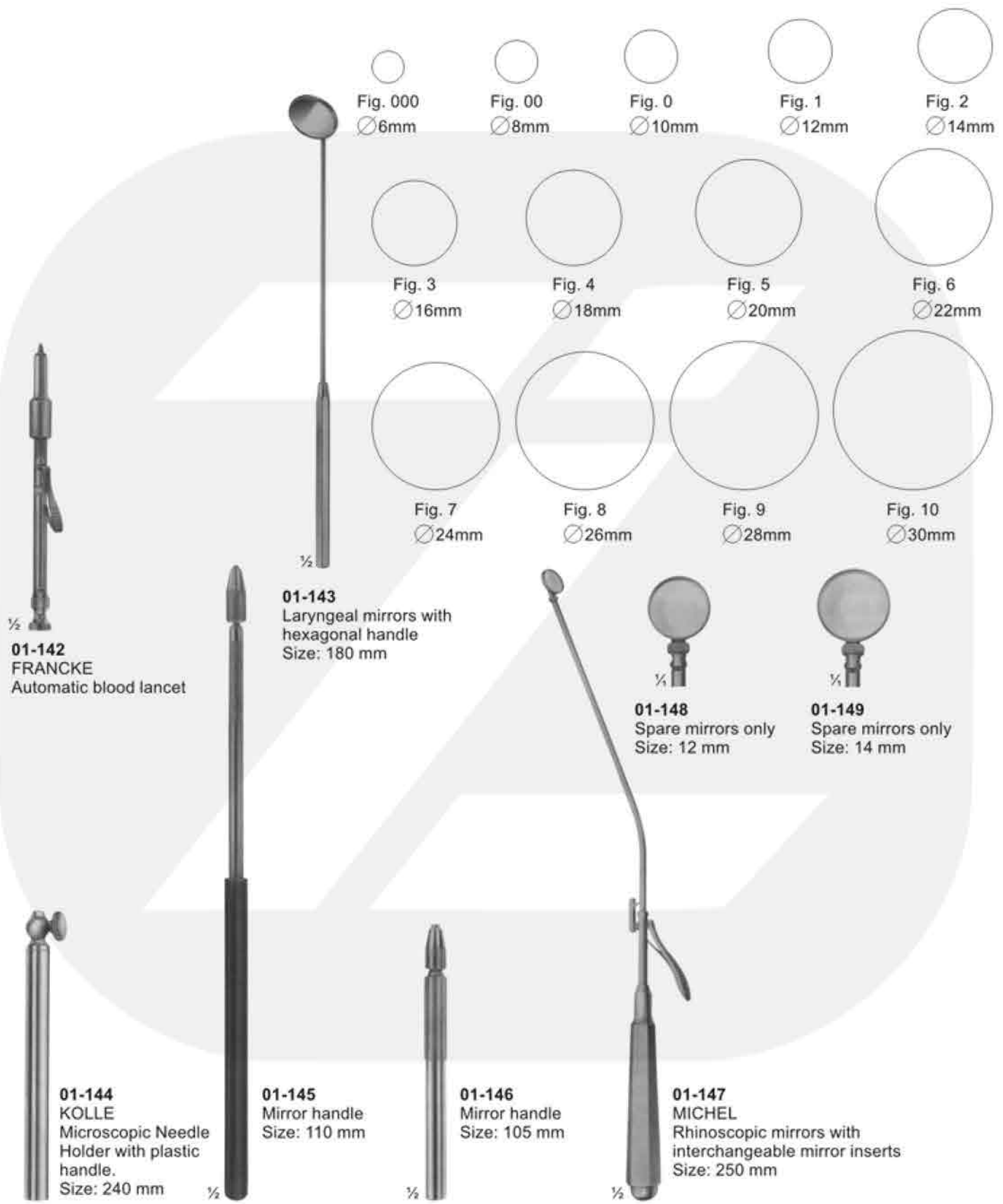


1/4  
Size: 170 mm



1/2  
**01-141**  
**HEYWOOD-SMITH**  
modif. Size: 215 mm

# Blood Lancets and Laryngeal Mirrors



**Fig. 000**  
∅6mm

**Fig. 00**  
∅8mm

**Fig. 0**  
∅10mm

**Fig. 1**  
∅12mm

**Fig. 2**  
∅14mm

**Fig. 3**  
∅16mm

**Fig. 4**  
∅18mm

**Fig. 5**  
∅20mm

**Fig. 6**  
∅22mm

**Fig. 7**  
∅24mm

**Fig. 8**  
∅26mm

**Fig. 9**  
∅28mm

**Fig. 10**  
∅30mm

**01-142**  
FRANCKE  
Automatic blood lancet

**01-143**  
Laryngeal mirrors with hexagonal handle  
Size: 180 mm

**01-148**  
Spare mirrors only  
Size: 12 mm

**01-149**  
Spare mirrors only  
Size: 14 mm

**01-144**  
KOLLE  
Microscopic Needle Holder with plastic handle.  
Size: 240 mm

**01-145**  
Mirror handle  
Size: 110 mm

**01-146**  
Mirror handle  
Size: 105 mm

**01-147**  
MICHEL  
Rhinoscopic mirrors with interchangeable mirror inserts  
Size: 250 mm

## Laryngoscope and Diagnostic Sets



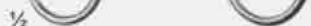
**01-150**  
Infants  
Size: 150 mm

**01-151**  
Children  
Size: 200 mm

**01-152**  
Adults  
Size: 250 mm



**01-154**



**01-150 - 152**  
MAGILL



**01-153**  
Medium battery handle  
only, 25 mm diam.



**01-153-A**  
Spare bulb  
2.7 volt, for  
otoscopes



**01-153-B**  
Spare bulb  
2.6 volt, for  
ophthalmoscopes



**01-155**



**01-156**  
Otoscope set, consists of  
battery handle without batteries,  
3 ear specula, 1 bulb in valvet lined case



**01-157**  
Diagnostic set, otoscope with three specula,  
nasal speculam, lamp holder, two laryngeal  
mirrors, tongue blade holder



# Laryngoscopes



**01-158**  
**MILLER**  
 Laryngoscope set, consists of battery handle ( without battery )  
 with four miller laryngoscope blades

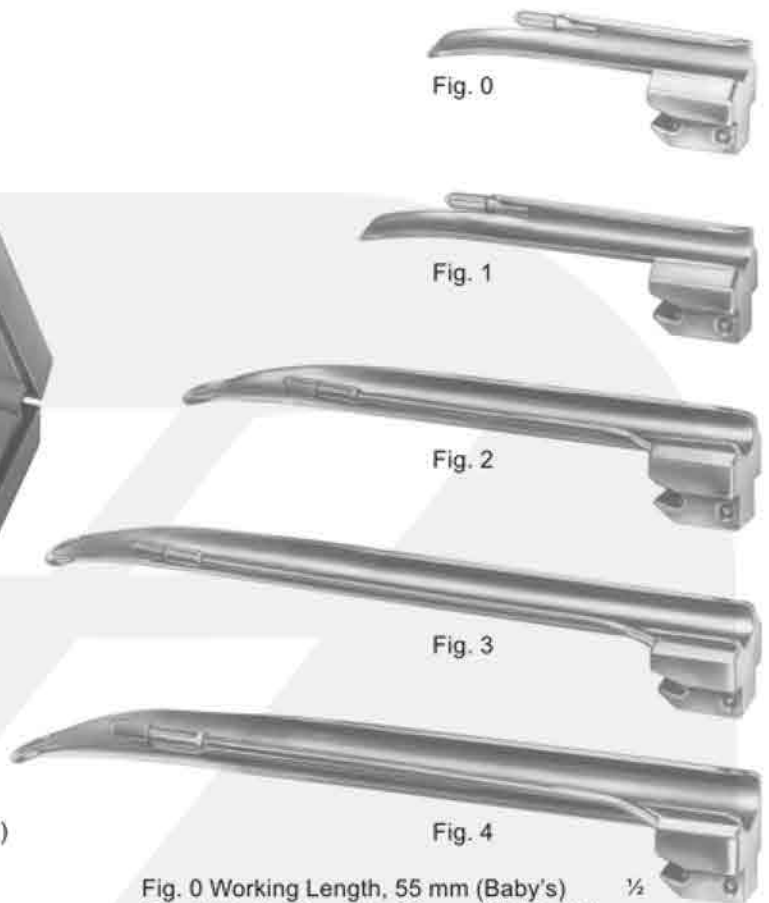


Fig. 0 Working Length, 55 mm (Baby's)  
 Fig. 1 Working Length, 80 mm (Children's)  
 Fig. 2 Working Length, 130 mm (Adolescent's)  
 Fig. 3 Working Length, 170 mm (Women's)  
 Fig. 4 Working Length, 180 mm (Men's)



**01-159**  
**GUEDEL-NEGUS**  
 Laryngoscope set, consists of battery handle ( without battery )  
 with four miller laryngoscope blades

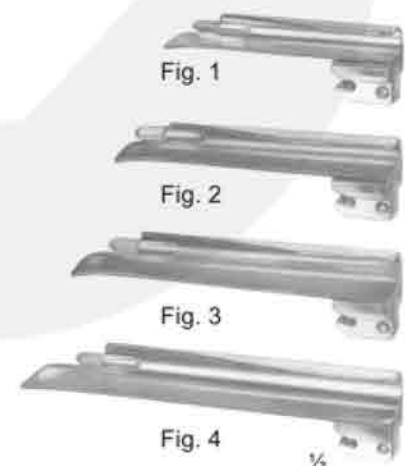


Fig. 1 Working Length, 70 mm (Children's)  
 Fig. 2 Working Length, 90 mm (Adolescent's)  
 Fig. 3 Working Length, 110 mm (Women's)  
 Fig. 4 Working Length, 135 mm (Men's)

# Laryngoscopes



**01-160**  
McINTOSH  
Laryngoscope Set, Consists Of Battery Handle ( Without Battery )  
With Three McIntosh Blades, Fig. 1, Fig. 2, Fig. 3



Fig. 0



Fig. 1



Fig. 2



Fig. 3



Fig. 4

**01-161**  
McINTOSH  
Laryngoscope Set, Consists Of Battery Handle ( Without Battery )  
With Five McIntosh Blades, Fig. 0, Fig. 1, Fig. 2, Fig. 3, Fig. 4

01-161 A Fig. 0 Working Length, 55 mm (Baby's)  
01-161 B Fig. 1 Working Length, 75 mm (Children's)  
01-161 C Fig. 2 Working Length, 90 mm (Adolescent's)  
01-161 D Fig. 3 Working Length, 110 mm (Women's)  
01-161 E Fig. 4 Working Length, 135 mm (Men's)



**01-162**  
FOREGGER  
Laryngoscope Set, Consists Of  
Battery Handle ( Without Battery )  
With Three Foregger Blades,  
Fig. 1, Fig. 2, Fig. 3.



Fig. 1



Fig. 2



Fig. 3



Fig. 4

**01-163**  
FOREGGER  
Laryngoscope Set, Consists Of  
Battery Handle ( Without Battery )  
With Four Foregger Blades,  
Fig. 1, Fig. 2, Fig. 3, Fig. 4.

01-162 A Fig. 1 Working Length, 70 mm (Children's)  
01-162 B Fig. 2 Working Length, 90 mm (Adolescent's)  
01-162 C Fig. 3 Working Length, 110 mm (Women's)  
01-162 D Fig. 4 Working Length, 135 mm (Men's)



**01-164**  
Fiber Optic  
Battery Handle  
30mm diam.



**01-165**  
Fiber Optic  
Battery Handle  
18mm diam.



**01-166**  
Replacement Lamp  
( Krypton ) 2.5 V



**01-167**  
Replacement Lamp  
( Halogen ) 2.5 V

## Examination & Measuring Instruments



**01-168**  
Caliper Of Aluminium  
Graduated in mm & inches  
up to 180mm  
Measuring Range up to 139mm.



**01-169**  
VERNIER  
Universal Caliper Of Steel  
Graduated in mm & inches  
up to 180mm  
Measuring Range up to 120mm  
with Vernier in 1/10mm & 1/16"



**01-170**  
CARROLL  
Size: 145 mm  
Finger Goniometer



**01-171**  
TOWNLEY  
Graduated in  
mm & inches  
Size: 115 mm



**01-172**  
COLLIN  
Druck Pressure 72 kg  
Size: 125 mm



**01-173**  
BERTILLON  
Caliper For Measuring The Head  
Size: 320 mm



**01-174**  
CASTROVIEJO  
Caliper  
Size: 75mm



**01-175**  
MOLTGEN  
Goniometer



**01-176**  
Size: 150 mm



**01-177**  
Size: 500 mm



## About us

Zolarex is a manufacturing company of high quality of following instruments

### **Surgical Instruments (Single use & Reusable)**

Hollow ware & Hospital Supplies,  
Orthopedic Instruments,  
Gynecology Instruments

### **Dental Instruments, Orthodontic Pliers**

Manicure & pedicure Instruments  
Cutters / Cuticle nippers / Eyebrow Tweezers / Cuticle Pushers / Black head removers / Corn cutters etc.

### **Scissors**

Professional Hair cutting scissors with razor edge,  
Professional thinning scissors,  
Pet grooming scissors,  
Tailor scissors,  
Household Scissors,  
Surgical & Dental Scissors,  
Veterinary scissors,  
cuticle scissors,  
plastic handle scissors,  
sheep scissors etc.

### **Veterinary instruments & Horse products**

We have been working in this field since 2002 and supplying our products all over the world.

We offer all kind of above mentioned products which are producing in Sialkot - Pakistan.

The additional final quality control takes place before shipment. Thus we guarantee the high quality and flawless condition of our products, a claim that you rightly expect from us.

So we can assure you that our products marked with "MUGHAL IMPEX" or your brand Name fast delivery with guaranteed Satisfaction. Our business is dedicated in providing fast and efficient services with high commitment in satisfying the customers.



## **Address:**

Near Alam Chowk Shabpura,  
Sialkot 51310 Pakistan

**Mob:** +92 316 7619193

**Email:** info@zolarexintl.com

zolarex.intl@gmail.com

**Web:** www.zolarexintl.com