



**Zolarex**  
INTERNATIONAL

[www.zolarexinel.com](http://www.zolarexinel.com)

**SURGICAL  
INSTRUMENTS**



# Punches

**130°** upwards cutting

**15-101**  
1 mm



KERRISON - JACOBY

FERRIS-SMITH-KERRISON

**15-102**  
2 mm



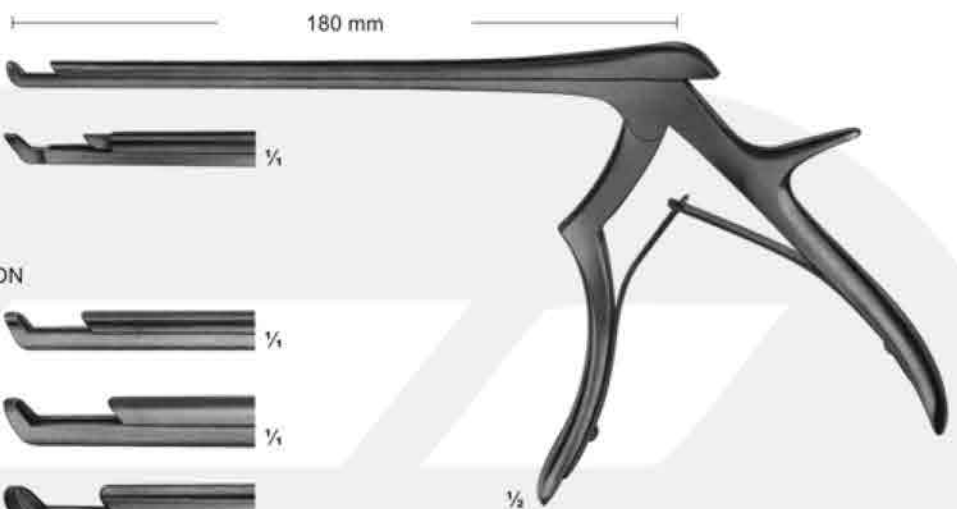
**15-103**  
3 mm



**15-104**  
4 mm



**15-105**  
5 mm



15-101 - 105

**90°** upwards cutting

**15-106**  
1 mm



KERRISON - JACOBY

**15-107**  
2 mm



FERRIS-SMITH-KERRISON

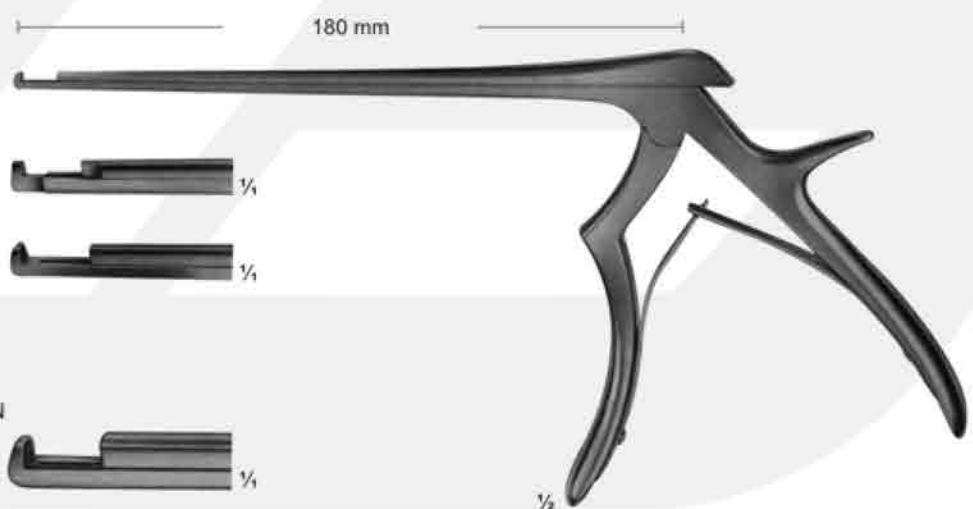
**15-108**  
3 mm



**15-109**  
4 mm



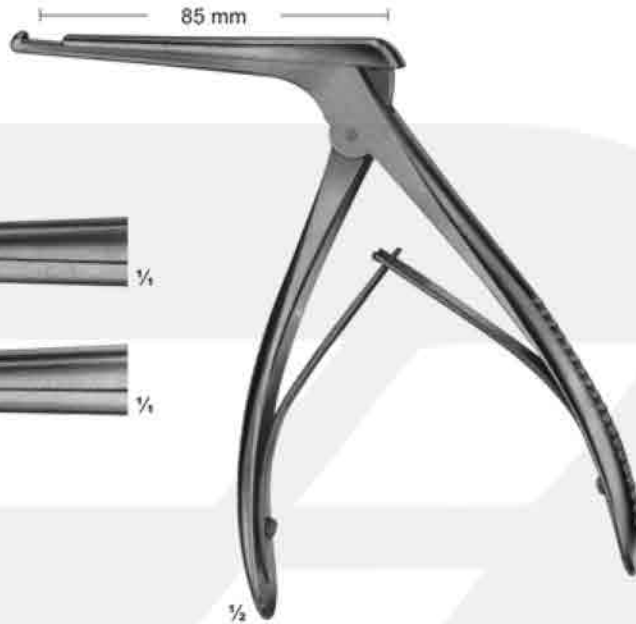
**15-110**  
5 mm



15-106 - 110

# Punches

90° upwards cutting



15-111  
4 mm

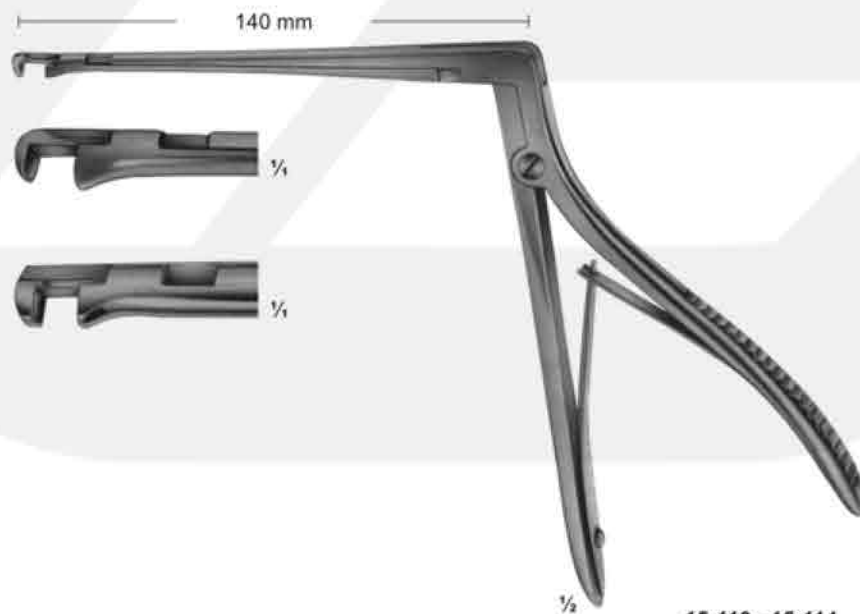


15-112  
5 mm



15-111 - 15-112  
KERRISON

90° upwards cutting



15-113  
3,3 mm



15-114  
4,0 mm



15-113 - 15-114  
HAJEK-KOFLER

# Rongeurs

**LOVE-GRUENWALD**

**15-115**  
2 X 10 mm



**15-116**  
3 X 10 mm



**SPURLING**

**15-117**  
4 X 10 mm



130 mm



15-115 - 15-117

**15-118**  
2 mm



**15-119**  
3 mm



**15-120**  
4 mm



**15-121**  
5 mm



155 mm



15-118 - 15-121  
CASPAR

150°

**15-122**  
2 mm



**15-123**  
3 mm



**15-124**  
4 mm



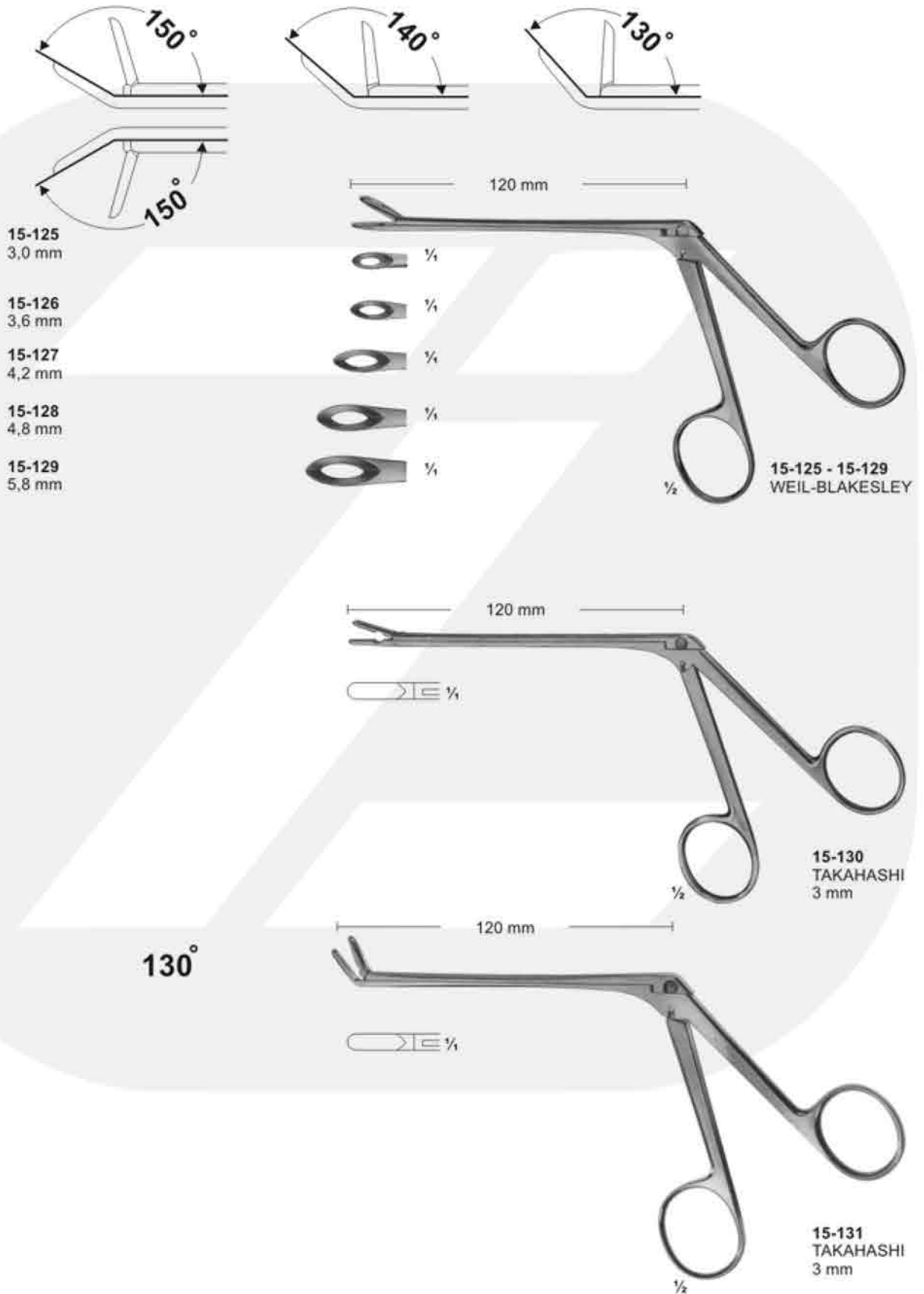
155 mm



15-122 - 15-124  
CASPAR

# Rongeurs

Angled positions for rongeurs



# Rongeurs

**150°**

Lower part of jaws movable

155 mm

**15-132**  
2 mm



**15-133**  
3 mm



**15-134**  
4 mm



**15-132 - 15-134**  
CASPAR

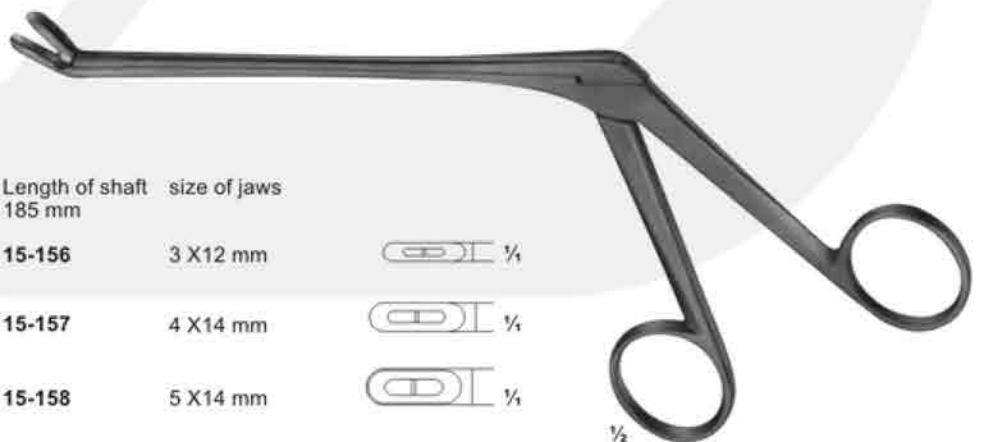
| Length of shaft<br>140 mm | Length of shaft<br>160 mm | Length of shaft<br>185 mm | size of jaws |
|---------------------------|---------------------------|---------------------------|--------------|
| <b>15-135</b>             | <b>15-140</b>             | <b>15-145</b>             | 2 X12 mm     |
| <b>15-136</b>             | <b>15-141</b>             | <b>15-146</b>             | 3 X12 mm     |
| <b>15-137</b>             | <b>15-142</b>             | <b>15-147</b>             | 4 X14 mm     |
| <b>15-138</b>             | <b>15-143</b>             | <b>15-148</b>             | 5 X14 mm     |
| <b>15-139</b>             | <b>15-144</b>             | <b>15-149</b>             | 6 X16 mm     |



**15-135 - 15-149**  
CASPAR

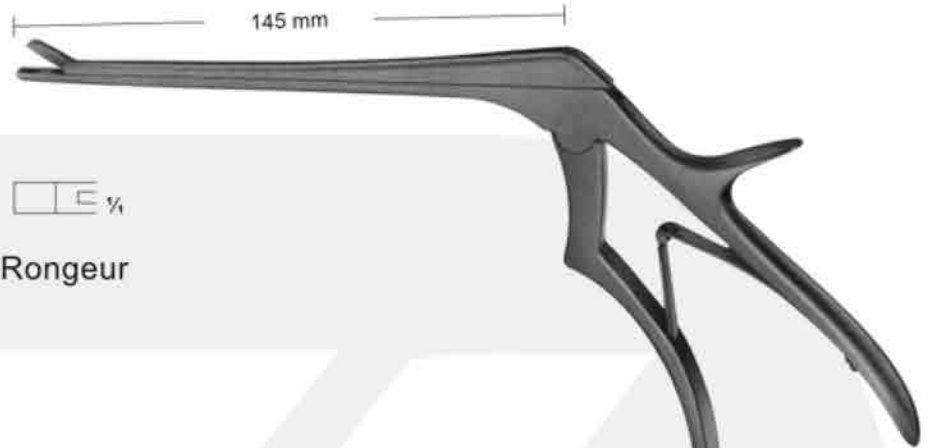
**150°**

| Length of shaft<br>140 mm | Length of shaft<br>160 mm | Length of shaft<br>185 mm | size of jaws |
|---------------------------|---------------------------|---------------------------|--------------|
| <b>15-150</b>             | <b>15-153</b>             | <b>15-156</b>             | 3 X12 mm     |
| <b>15-151</b>             | <b>15-154</b>             | <b>15-157</b>             | 4 X14 mm     |
| <b>15-152</b>             | <b>15-155</b>             | <b>15-158</b>             | 5 X14 mm     |



**15-150 - 15-158**  
CASPAR

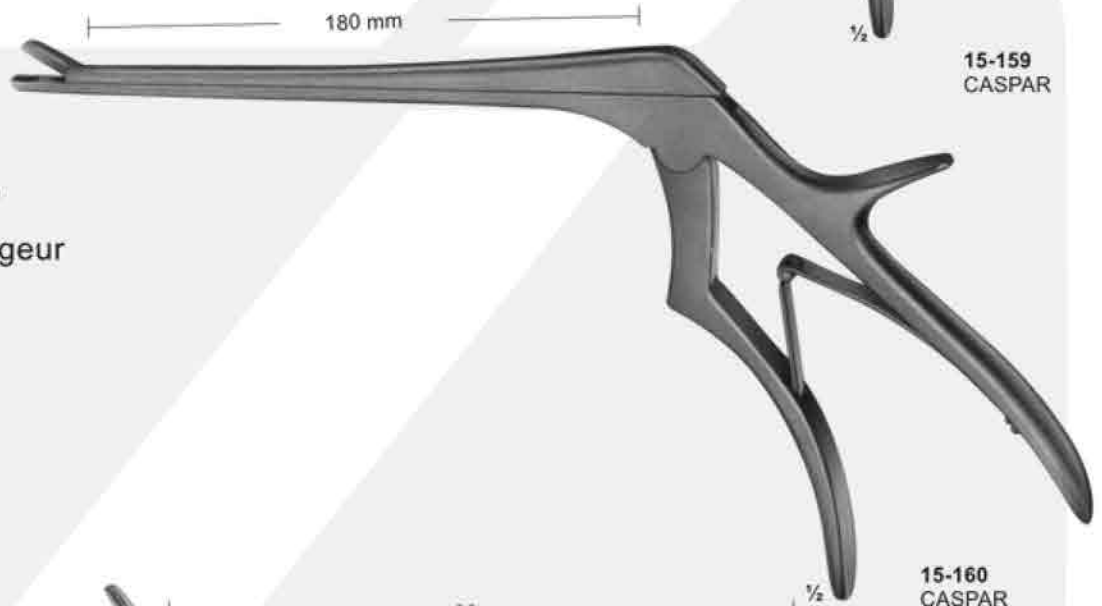
# Rongeurs



15-159  
4 mm



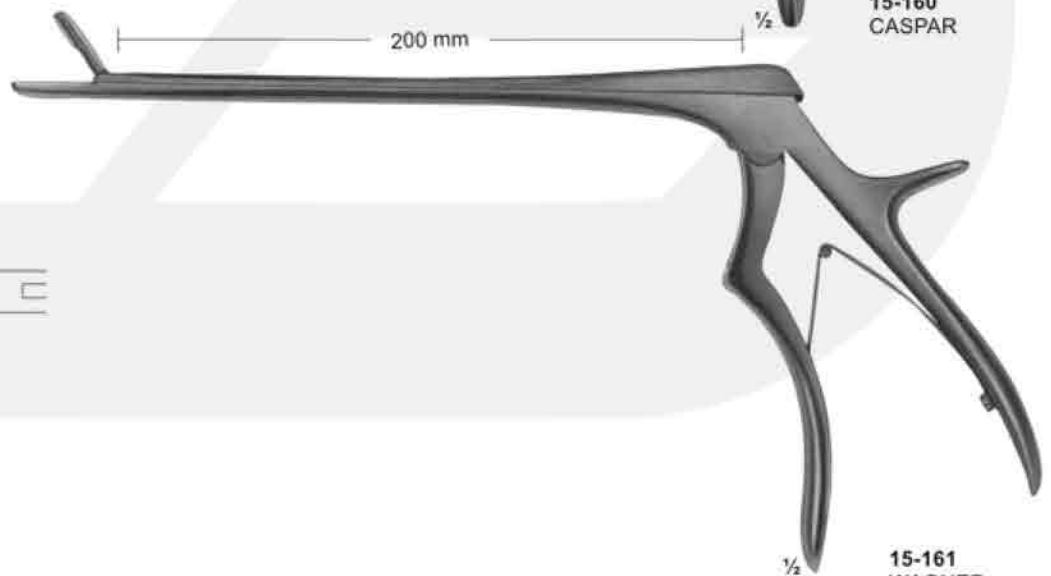
Osteophyte Rongeur



15-160  
4 mm



Osteophyte Rongeur



15-161  
5,5 mm



Very Heavy Pattern

15-159 CASPAR  
15-160 CASPAR  
15-161 WAGNER

## About us

Zolarex is a manufacturing company of high quality of following instruments

### **Surgical Instruments (Single use & Reusable)**

Hollow ware & Hospital Supplies,  
Orthopedic Instruments,  
Gynecology Instruments

### **Dental Instruments, Orthodontic Pliers**

Manicure & pedicure Instruments  
Cutters / Cuticle nippers / Eyebrow Tweezers / Cuticle Pushers / Black head removers / Corn cutters etc.

### **Scissors**

Professional Hair cutting scissors with razor edge,  
Professional thinning scissors,  
Pet grooming scissors,  
Tailor scissors,  
Household Scissors,  
Surgical & Dental Scissors,  
Veterinary scissors,  
cuticle scissors,  
plastic handle scissors,  
sheep scissors etc.

### **Veterinary instruments & Horse products**

We have been working in this field since 2002 and supplying our products all over the world.

We offer all kind of above mentioned products which are producing in Sialkot - Pakistan.

The additional final quality control takes place before shipment. Thus we guarantee the high quality and flawless condition of our products, a claim that you rightly expect from us.

So we can assure you that our products marked with "MUGHAL IMPEX" or your brand Name fast delivery with guaranteed Satisfaction. Our business is dedicated in providing fast and efficient services with high commitment in satisfying the customers.



## **Address:**

Near Alam Chowk Shabpura,  
Sialkot 51310 Pakistan

**Mob:** +92 316 7619193

**Email:** info@zolarexintl.com

zolarex.intl@gmail.com

**Web:** www.zolarexintl.com